

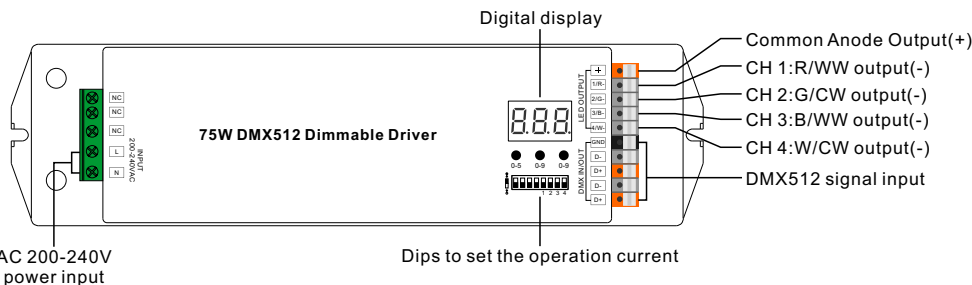
75W DMX LED Driver(Constant Current)

09.21675CF.04715



Important: Read All Instructions Prior to Installation

Function introduction



Product Data

Output	LED Channel	4							
	Selectable Current	250mA	300mA	350mA	400mA	450mA	500mA	600mA	700mA
	DC Voltage Range	8-43V	8-43V	8-43V	8-43V	8-43V	8-43V	8-43V	8-43V
	Selectable Current	800mA	900mA	1000mA	1100mA	1200mA	1300mA	1400mA	1500mA
	DC Voltage Range	8-43V	8-43V	8-43V	8-43V	8-43V	8-43V	8-43V	8-43V
	Current Tolerance	±3%							
	Rated Power	Max. 64W/CH, CH1+CH2+CH3+CH4 ≤ 75W							
Input	Voltage Range	200-240V AC							
	Frequency Range	50/60Hz							
	Power Factor (Typ.)	> 0.9 @ 230VAC							
	Total Harmonic Distortion	THD ≤ 15% (@ full load / 230VAC)							
	Efficiency (Typ.)	87% @ 230VAC full load							
	AC Current (Typ.)	400mA @ 230VAC							
	Inrush Current (Typ.)	COLD START Max. 2A @ 230VAC							
Control	Dimming Interface	DMX							
	Dimming Range	0%-100%							
	Dimming Method	Pulse Width Modulation							
	Dimming Curve	Logarithmic, Linear							

Protection	Short Circuit	Yes, recovers automatically after fault condition is removed
	Over Voltage	Yes, recovers automatically after fault condition is removed
	Over Temperature	Yes, recovers automatically after fault condition is removed
Environment	Working Temp.	-25°C ~ +45°C
	Max. Case Temp.	80°C
	Working Humidity	10% ~ 95% RH non-condensing
	Storage Temp. & Humidity	-40°C ~ +80°C, 10% ~ 95% RH
Safety & EMC	Safety Standards	ENEC EN61347-1, EN61347-2-13 approved
	Withstand Voltage	I/P-O/P: 3.75KVAC
	Isolation Resistance	I/P-O/P: 100M Ohms / 500VDC / 25°C / 70% RH
	EMC Emission	EN55015, EN61000-3-2, EN61000-3-3
	EMC Immunity	EN61547, EN61000-4-2,3,4,5,6,8,11, surge immunity Line-Line 1KV
Others	MTBF	193.6K hrs min. @ 230VAC full load and 25°C ambient temperature
	Dimension	244*64*32mm (L*W*H)

Dips to set the operation current



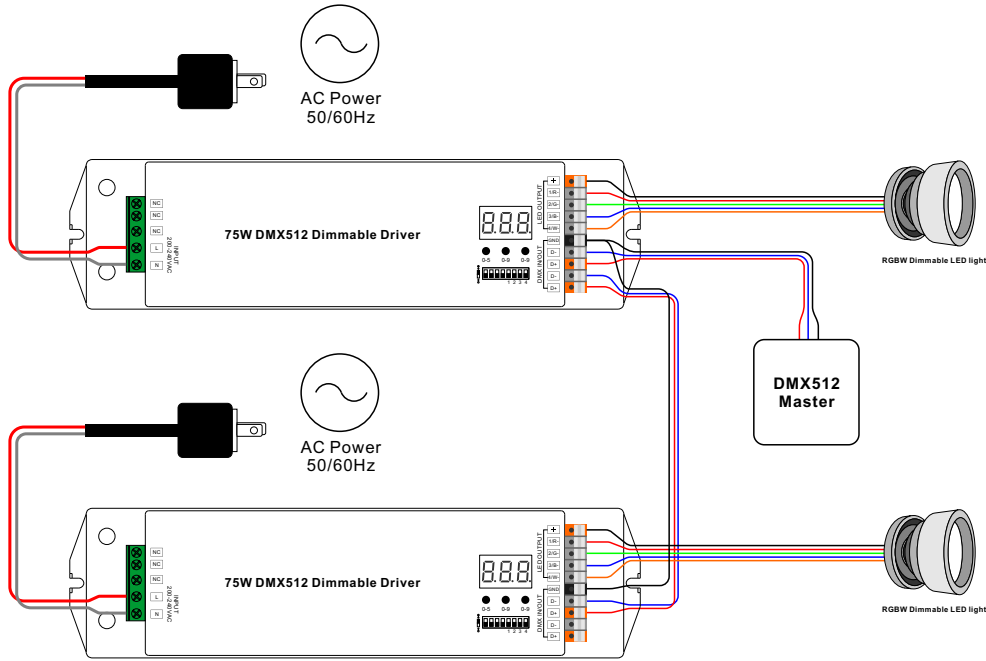
	1	2	3	4		1	2	3	4
250mA	●	●	●	●		○	●	●	●
300mA	●	●	●	○		○	●	●	○
350mA	●	●	○	●		○	○	●	●
400mA	●	○	○	●		○	○	○	●
450mA	○	●	●	●		○	○	●	●
500mA	●	○	●	○		○	○	●	○
600mA	●	○	○	●		○	○	○	●
700mA	●	○	○	○		○	○	○	○
800mA	○	●	●	●		○	○	○	○
900mA	○	●	○	○		○	○	○	○
1000mA	○	○	○	●		○	○	○	○
1100mA	○	○	○	○		○	○	○	○
1200mA	○	○	●	●		○	○	○	○
1300mA	○	○	●	○		○	○	○	○
1400mA	○	○	○	●		○	○	○	○
1500mA	○	○	○	○		○	○	○	○

- 4 channel constant current output
- Output current level selectable from 250mA to 1500mA by DIP switches
- Class II power supply, full isolated plastic case
- Built-in active PFC function
- PF > 0.9, Efficiency > 87%
- Low standby power < 0.5W
- Built-in DMX512 interface
- Compatible with universal DMX512 master controllers
- Compliant with Safety Extra Low Voltage standard
- Short circuit, over load, over temperature protection
- IP20 rating, suitable for indoor LED lighting applications
- 5 years warranty

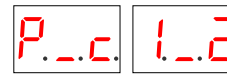
Safety & Warnings

- DO NOT install with power applied to device.
- DO NOT set the operation current with power applied
- DO NOT expose the device to moisture.

Wiring diagram



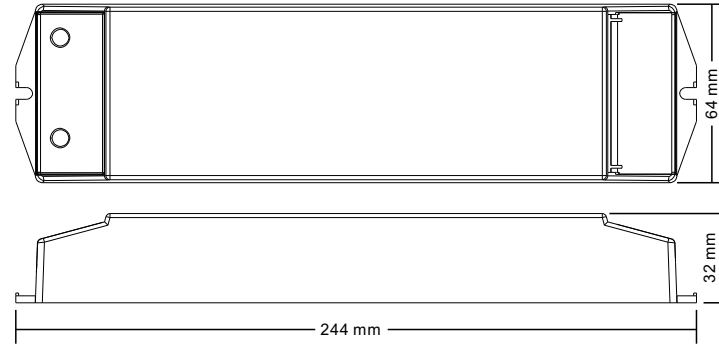
Note: When DMX channel is set as 1 and 4 PWM output channels are wired to LED loads simultaneously, please make sure the operation current of the LED loads does not exceed 1100mA.



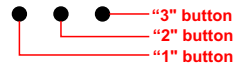
Choose PWM frequency

Press and hold down 1st and 3rd buttons simultaneously for 2 seconds, digital display flashes to show P-c. P means PWM frequency, click 1st button to show, "1" means 1500Hz, "2" means 200Hz. c means dimming options, click 3rd button to show, "1" means logarithmic dimming, "2" means linear dimming. Press and hold down any button for >2 seconds to confirm the setting. The factory preset default is PWM frequency 1500Hz with linear dimming. **1-2**

Product Dimension



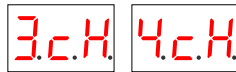
Operation



Through buttons to set desired DMX512 address, click button 1 to set "hundreds" position, 2 to set "tens" position, 3 to set "unit" position.

Set DMX address

Press and hold down 1st button for 2 seconds, digital display flashes to set the required DMX address, then press and hold down any button for >2 seconds to confirm.



Choose Channel

Press and hold down 2nd and 3rd buttons simultaneously for 2 seconds, cH digital display flashes, then click 1st button to choose 1/2/3/4, 3 means total 3 channels, 4 means total 4 channels. Press and hold down any button for >2 seconds to confirm the 1,2,3 or 4 channels. The factory preset default is 4 channels outputs.

NOTE:

For example, when we set address to 001

When select 1cH, all four channels will be the same address 001.

When select 2cH, channel one and channel three will be the same address 001, channel two and channel four will be 002.

When select 3cH, channel 1,2,3 will be address 001,002,003, and channel 4 address is also 001

When select 4cH, channel 1, 2, 3,4 will be address 001, 002,003,004.